



SUN EARTH

THE PV WATERHEATER SERIES

PV HEATER SPECIFICATION SHEET

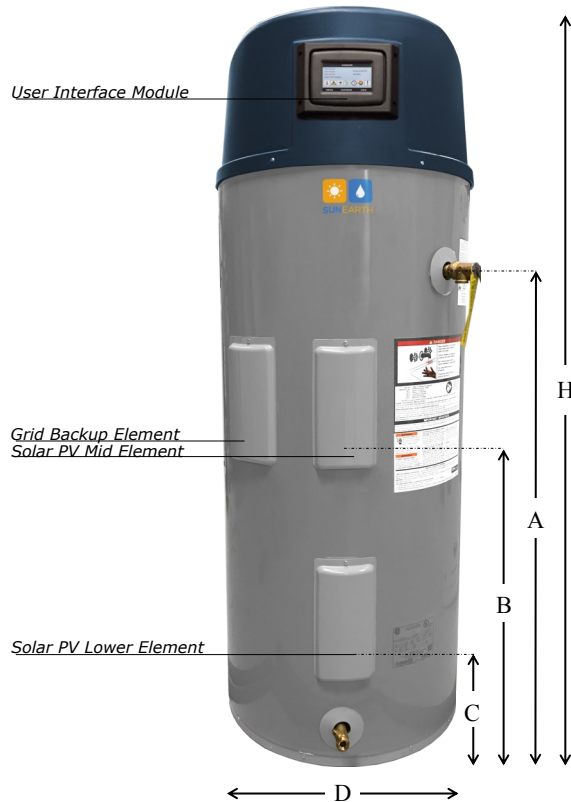
Applications



Solar Water Heating



Solar Electric



Technical Specifications:

System	
Tank Capacity	45 Gal
Dry Weight	130 Lbs.
Operating Temperature Range	-40°F to 185°F
Solar Electrical	
Maximum PV Modules	4
PV Modules Power Range	180-310 Watts
PV Modules Voltage Range	15-58 Volts
Maximum Inverters	1
Inverter Max Output Power	1150 Watts
Heating Elements	
PV Powered Mid	1000 Watts
PV Powered Lower	1000 Watts
Grid Back-Up Mid	4500 Watts
Tank Electrical Connection	240 VAC

Innovative installation practices go hand in hand with innovative products and the PV Water Heater, SunEarth's most recent addition to its Solar hot water lineup is nothing short of innovative. Provides thermal storage for PV system eliminating the need for batteries or interconnection between PV and the electric grid.

Models

Model Number	Description	Dimensions	Approx. Gross Weight
PV-50-6	PV Water Heater 50 Gallon	24" x 60" (D x H) (A:40", B:27", C:10")	130 Lbs.

Solar Water Heating System

Model Number	Includes:
PVWH-50	4 x 295 Watts Modules
	1 x PVHW Inverter
	Mounting rails and hardware for 4 modules (1 row of 4 or 2 rows of 2)
	1 x PV Water Heater (50 Gallon)

*Roof attachments not included but required, please specify roof type when ordering.

Due to SunEarth's policy of continuous product improvement, specifications are subject to change without notice.



SUN EARTH

8425 Almeria Avenue Fontana, CA 92335
 (909) 434-3100, Fax (909) 434-3101
www.sunearthinc.com



THE PV WATERHEATER SERIES

PV HEATER SPECIFICATION SHEET

General:

The water heater shall be SunEarth Model _____ and contain two photovoltaic resistive heating elements each rated to 1000 watts and positioned to allow vertically staged water heating. The water heaters backup electrical grid element will be rated to 4500 watts and shall be positioned with a minimum of 22 gallons of water above the element. All heating elements shall be activated by the integrated touch screen controller utilizing embedded digital temperature sensor inputs. The water heater shall be certified by the International Code Council Solar Rating and Certification Corporation (SRCC-ICC).

FEATURES AND COMPONENTS

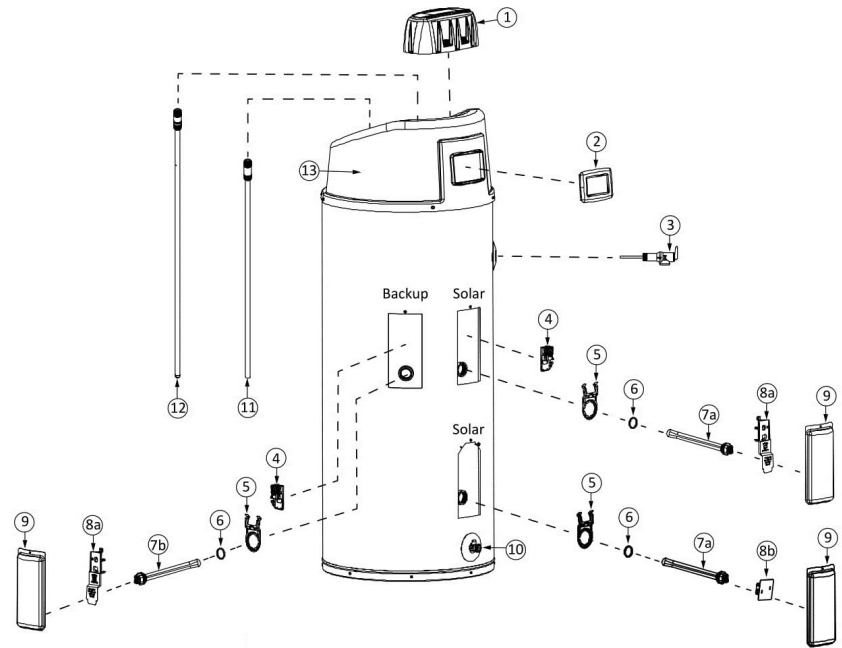
TANK:

The water heater tank is glass lined and pressure rated consisting of R-17 insulation and a painted metal jacket. Includes two 1000 Watt PV powered resistive heating elements and a 4500 Watt backup grid tied resistive heating element for confidence in hot water availability. The heater is protected by a 150 psi/210°F relief valve, aluminum sacrificial anode, and preinstalled brass nipples.

Controller:

The controller has a 4.5 inch full color touch screen. Features include tank temperature monitoring, proportion of PV energy in storage, vacation settings for energy conservation during extended non-use, and customizable backup heating element schedule. Allows for utilization of backup resistive element only when needed, controlled via digital temperature sensors and program time setting which maximizes solar energy contribution.

No.	Description
1	Solar Control Module
2	Display/User Interface
3	T&P Relief Valve
4	ECO (Energy Cut Off)
5	Bracket
6	Element Gasket
7	Element (Solar)
7a	Element (Backup)
8	Terminal Cover
8a	Element Cap
9	Outer Door
10	Drain Valve
11	Anode
12	Dip Tube
13	Shroud



No.	Description (Connection Location)	Top View:
15	PV Solar Power	
16	Grid Power (Home's Power), 240 VAC	
17	Hot Water Line Out	
18	Cold Water Line In	

Due to SunEarth's policy of continuous product improvement, specifications are subject to change without notice.



SUNEARTH

8425 Almeria Avenue Fontana, CA 92335
 (909) 434-3100, Fax (909) 434-3101
www.sunearthinc.com